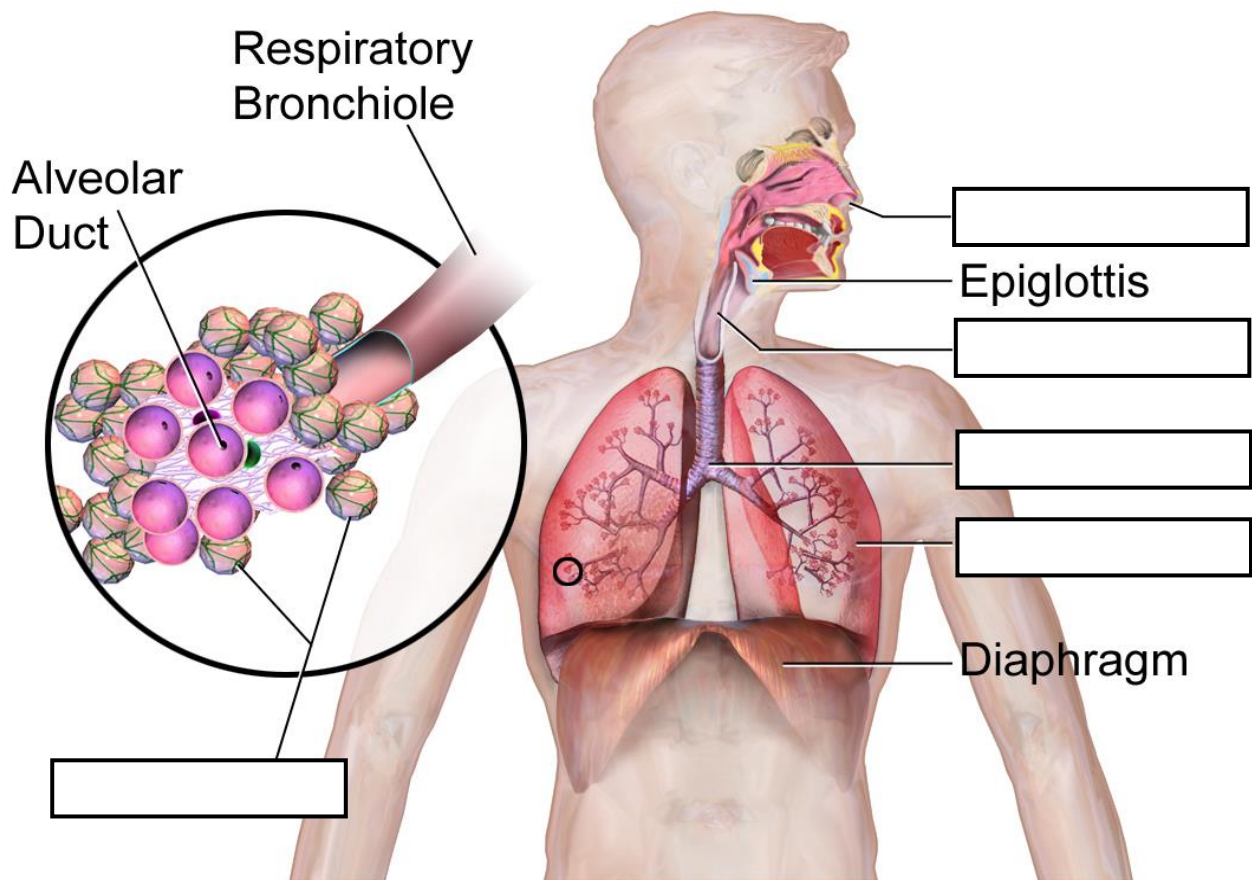


Name \_\_\_\_\_

## Our Lungs, Our Air, Our Health Module Assessment

### Part 1: Organs of the Respiratory System

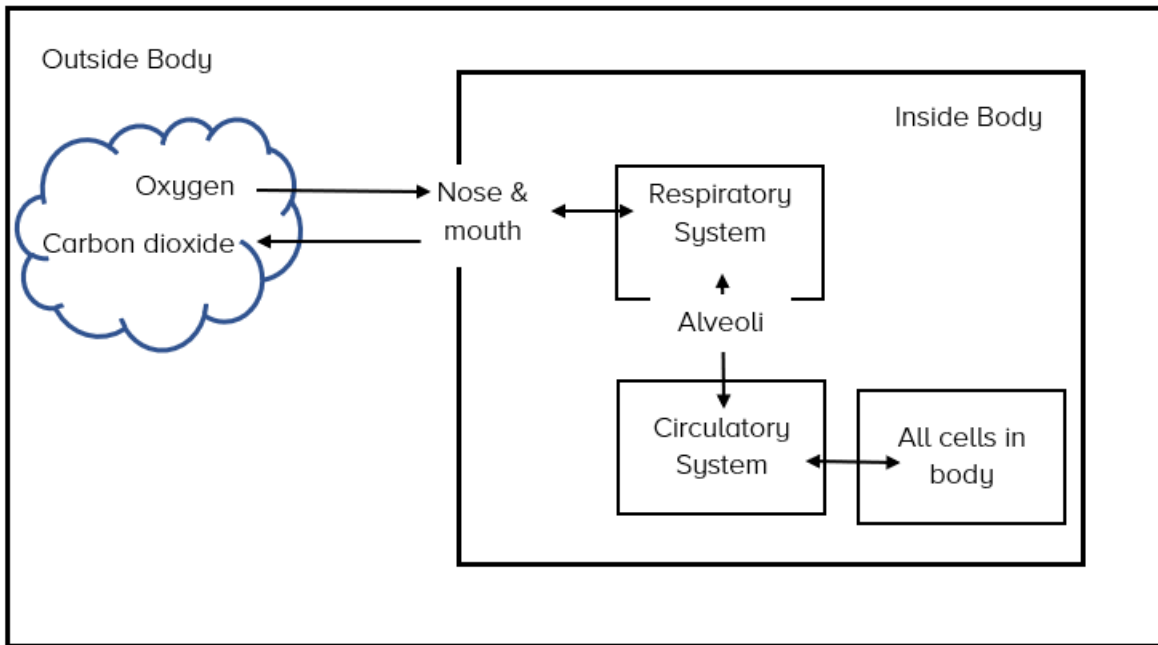
Directions: Use the word bank below to label the missing parts of the respiratory system in the diagram:



Word Bank		
Lung	Trachea	Alveoli
	Nose	Bronchi

## Part 2: The respiratory and circulatory systems

Directions: The simplified model below shows the human respiratory and circulatory systems. Use the model to answer the questions below.



Use the model to explain the path of oxygen from the environment outside the body to the cells in your body. Make sure to include parts of the circulatory and respiratory systems in your answer.

---

---

---

---

---

---

Explain why the arrows in the model go in two directions inside the body.

---

---

---

---



